

EB SERIES 11 KNIFE GATE VALVE



The SERIES 11 (EB) model knife gate valve is a bi-directional wafer type valve designed for general industrial service applications. The design of the body and the seat assures non-clogging shut off on suspended solids in various industries such as Wastewater Treatment Plants, Food and Beverage, Chemical Plants, Sludge Handling and Storm Tanks, Agriculture and Biogas Plants

Product description:

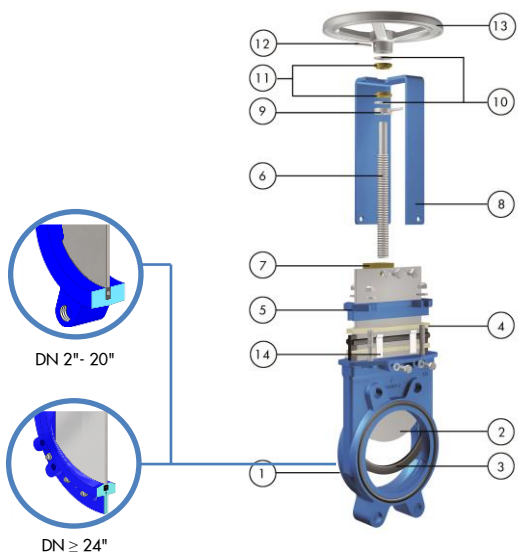
- Bi-directional wafer type knife gate valve
- Size range of DN 2"-48" (larger sizes upon request). See Dimension Charts for pressure rating
- Non-rising stem as standard. Rising stem also available
- Standard flange connection: DIN PN10 (EN 1092-2) and ANSI B16.5 (class 150). Others available upon request
- Manual (handwheel, chainwheel, lever and bevel gear), pneumatic (single and double-acting), electric and hydraulic actuation options available
- For EU Directives and other Certificates, please see the document: Directives and Certificates Compliance - Knife Gate Valves - Catalogues and Datasheets

Features:

- Wafer monoblock cast design up to DN 20" with special seal housing machining for a perfect adjustment of the body with the gate and the seal, reducing the operation torque, maintaining tightness and avoiding any build-up
- Two-part bolted body design from DN 24" and above
- Full port design for greater flow capacity and minimal pressure drop
- Suitable for dead-end service up to DN 20" to the full rating
- Stainless steel gate polished both sides to avoid jamming and seat damage
- Standard EPDM seat with metallic core
- Long life PTFE impregnated synthetic fibre plus EPDM o-ring packing with easy access and adjustable gland follower. Wide range of packing materials available
- RAL-5015 blue epoxy-coating on all cast iron/carbon steel components
- Automated valves provided with gate guards in accordance with EU Safety Standards. Only in EU
- Other options: V-ports, special materials, fabricated valves, etc.
- Actuation accessories: limit & proximity switches, mechanical stops, positioners, solenoid valves, manual overrides, locking devices, fail safe systems, stem extensions and floor stands



STANDARD PARTS LIST



Part:	Cast iron:
1 Body	GJL 250 (GG25) / GJS 400 (GGG40)
2 Gate	AISI 304 (1.4301)
3 Seat	EPDM /Nitrile
4 Packing	PTFE impreg. synth. fibre and EPDM O-ring
5 Gland Follower	GJS400 (GGG40)
6 Stem	Stainless Steel
7 Stem Nut	Brass
8 Yoke	Carbon steel - Epoxy coated
9 Axial Fixing Bush	AISI 304 (1.4301)
10 Friction Washer	PET + solid lubricant
11 Bushing	Bronze
12 Spring Pin	AISI 420 (1.4021) (ISO 8752)
13 Handwheel	DN≤12.20": Al. (AISI12); DN≥16.70" GJS400 (GGG40)
14 Slider (up to DN300)	Nylon

* Refer to full catalogue for complete details

ООО «ТИ-СИСТЕМС» ИНЖИНИРИНГ И ПОСТАВКА ТЕХНОЛОГИЧЕСКОГО ОБОРУДОВАНИЯ

Интернет: www.tisys.ru www.tisys.kz www.tisys.by www.tesec.ru www.ти-системс.рф

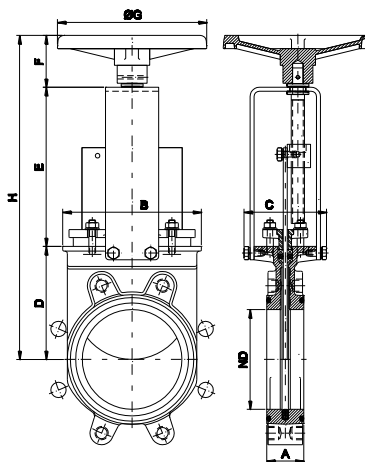
Телефоны: +7 (495) 7774788, 7489626, (925) 5007155, 54, 65 Эл. почта: info@tisys.ru info@tisys.kz info@tisys.by

EB SERIES 11 KNIFE GATE VALVE



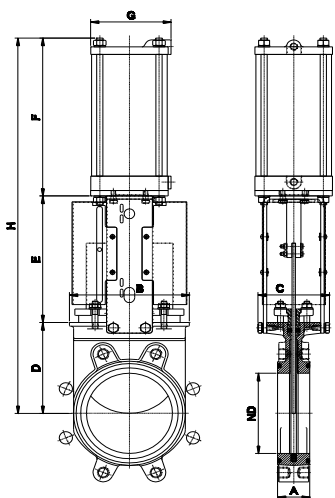
DIMENSIONS Handwheel Non Rising Stem

DN (")	Pressure	A	B	C	D	E	F	ØG	H	Weight (lbs.)
2"	230 psi	1,70	4,49	4,88	4,13	5,67	2,48	8,86	12,28	18
2,5"	230 psi	1,81	5,04	4,88	4,53	6,34	2,48	8,86	13,34	20
3"	230 psi	1,81	5,63	4,88	4,88	6,97	2,48	8,86	14,33	22
4"	230 psi	2,05	6,38	4,88	5,52	7,95	2,48	8,86	15,94	26
5"	230 psi	2,20	7,12	4,88	6	8,90	2,48	8,86	17,28	33
6"	150 psi	2,20	8,22	4,88	6,69	9,92	2,48	8,86	19,09	37
8"	150 psi	2,36	10,35	5,60	8,07	12,48	2,87	12,20	23,42	66
10"	150 psi	2,68	12,40	5,60	10	14,64	2,87	12,20	27,36	92
12"	90 psi	3,07	14,57	5,60	11,41	16,61	2,87	12,20	31,30	132
14"	90 psi	3,07	16,53	7,75	12,80	20,03	3,86	16,14	37,20	198
16"	90 psi	4,02	18,81	7,75	14,14	22,00	3,86	16,14	41,30	309
18"	75 psi	4,49	20,86	7,91	16,14	24,05	3,86	21,65	44,92	408
20"	60 psi	5	23	7,91	17,71	26,42	3,86	21,65	49,37	450
24"	60 psi	4,33	30	7,91	20,07	30,35	3,86	21,65	57,44	507



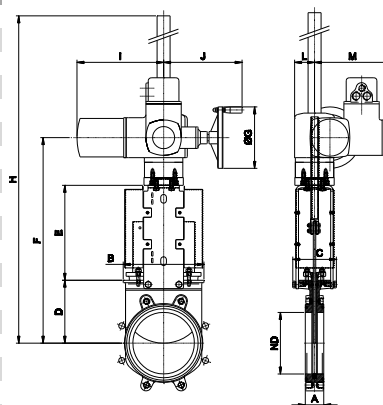
DIMENSIONS Pneumatic Actuator (D/A)

DN (")	Pressure	A	B	C	D	E	F	G	H	Weight (lbs.)	Standard Cyl.	TM
2"	230 psi	1,70	4,49	4,88	4,13	5,07	7,00	4,53	16,22	20	C4"-2.44"	1/4" G
2,5"	230 psi	1,81	5,04	4,88	4,53	5,79	7,60	4,53	17,87	22	C4"-3.03"	1/4" G
3"	230 psi	1,81	5,63	4,88	4,88	6,37	8,31	4,53	19,65	24	C4"-3.74"	1/4" G
4"	230 psi	2,05	6,38	4,88	5,52	7,36	9,09	4,53	21,96	30	C4"-4.52"	1/4" G
5"	230 psi	2,20	7,12	4,88	6/150	8,30	10,67	5,51	24,88	42	C5"-5.52"	1/4" G
6"	150 psi	2,20	8,22	4,88	6,69	9,33	11,65	5,51	27,67	48	C5"-6.61"	1/4" G
8"	150 psi	2,36	10,35	5,60	8,07	12,16	14,09	6,89	34,33	104	C6.30"-8.66"	1/4" G
10"	150 psi	2,68	12,40	5,60	10	14,33	16,85	8,66	41,02	128	C8"-10.62"	3/8" G
12"	90 psi	3,07	14,57	5,60	11,41	16,29	18,82	8,66	46,55	185	C8"-12.60"	3/8" G
14"	90 psi	3,07	16,53	7,75	12,80	19,68	21,61	10,90	54,09	287	C10"-14.76"	3/8" G
16"	90 psi	4,02	18,81	7,75	14,14	21,65	23,58	10,90	59,40	400	C10"-16.73"	3/8" G
18"	75 psi	4,49	20,86	7,91	16,14	23,94	26,77	15,03	66,45	518	C12"-18.70"	1/2" G
20"	60 psi	5	23	7,91	17,71	25,90	28,74	15,03	72,36	666	C12"-20.67"	1/2" G
24"	60 psi	4,33	30	7,91	20,07	29,84	32,68	15,03	82,59	694	C12"-24.61"	1/2" G
28"	30 psi	4,33	35,04	15,66	23,66	34,45	38,77	17,48	96,88	1058	C14"-28.74"	3/4" G
32"	30 psi	4,33	39,84	12,60	27,36	38,34	42,77	17,48	106,45	1290	C14"-32.68"	3/4" G



DIMENSIONS Electric Actuator Rising stem

DN (")	Pressure	A	B	C	D	E	F	ØG	H	I	J	L	M	Stem Ø x pitch	Torque (ft.LBS)
2"	230 psi	1,70	4,49	4,88	4,13	5,07	14,84	6,30	20,94	10,43	9,80	2,44	9,37	0.79 x 0.16	7.4
2,5"	230 psi	1,81	5,04	4,88	4,53	5,79	15,90	6,30	23,62	10,43	9,80	2,44	9,37	0.79 x 0.16	7.4
3"	230 psi	1,81	5,63	4,88	4,88	6,34	16,88	6,30	26,73	10,43	9,80	2,44	9,37	0.79 x 0.16	7.4
4"	230 psi	2,05	6,38	4,88	5,52	7,36	18,50	6,30	26,18	10,43	9,80	2,44	9,37	0.79 x 0.16	7.4
5"	230 psi	2,20	7,12	4,88	6	8,30	19,84	6,30	27,55	10,43	9,80	2,44	9,37	0.79 x 0.16	11.1
6"	150 psi	2,20	8,22	4,88	6,69	9,33	21,65	6,30	44,09	10,43	9,80	2,44	9,37	0.79 x 0.16	14.8
8"	150 psi	2,36	10,35	5,60	8,07	12,16	25,86	6,30	48,70	10,43	9,80	2,44	9,37	0.98 x 0.2	22.2
10"	150 psi	2,68	12,40	5,60	10	14,33	29,80	6,30	52,63	10,43	9,80	2,44	9,37	0.98 x 0.2	33.3
12"	90 psi	3,07	14,57	5,60	11,41	16,29	33,34	6,30	56,18	10,43	9,80	2,44	9,37	0.98 x 0.2	29.50
14"	90 psi	3,07	16,53	7,75	12,80	20	37,59	7,87	60,43	11,14	10	2,55	9,76	1.38 x 0.24	51.8
16"	90 psi	4,02	18,81	7,75	14,17	21,65	40,94	7,87	63,77	11,14	10	2,55	9,76	1.38 x 0.24	66.38
18"	75 psi	4,49	20,86	10,63	16,14	23,94	44,44	7,87	67,87	11,14	10	2,55	9,76	1.38 x 0.24	81.4
20"	60 psi	5	26,93	10,63	17,71	25,90	48,74	7,87	72,16	11,14	10	3,58	11,25	1.38 x 0.24	70.06
24"	60 psi	4,33	30	10,63	19,80	29,84	54,17	12,40	82,40	15,31	13,22	3,58	11,25	1.38 x 0.24	103.26
28"	30 psi	4,33	35,04	14,96	24,01	34,45	65,35	12,40	110,23	15,31	13,22	3,58	11,25	1.57 x 0.27	88.50
32"	30 psi	4,33	39,84	12,60	28	38,54	72,79	12,40	117,67	15,31	13,22	3,58	11,25	1.97 x 0.31	132.76
36"	30 psi	4,33	43,77	12,60	30,90	43,89	82,08	12,40	126,96	15,31	13,22	3,58	11,25	1.97 x 0.31	163.74
40"	30 psi	4,33	48	12,60	44,09	48,22	99,02	15,74	144,49	15,31	13,34	3,58	11,25	1.97 x 0.31	221.27
48"	30 psi	5,90	57,87	18	52,75	58,46	118,54	20	174,40	16,93	14,37	8	12,99	2.36 x 0.35	354.03



ООО «ТИ-СИСТЕМС» ИНЖИНИРИНГ И ПОСТАВКА ТЕХНОЛОГИЧЕСКОГО ОБОРУДОВАНИЯ

Интернет: www.tisys.ru www.tisys.kz www.tisys.by www.tesec.ru www.ти-системс.рф

Телефоны: +7 (495) 7774788, 7489626, (925) 5007155, 54, 65 Эл. почта: info@tisys.ru info@tisys.kz info@tisys.by